



**8-12吨电动平衡重式叉车**  
8-12TON ELECTRIC COUNTER BALANCED FORKLIFT



## 1 超越同级的行车视野 Excellent Mast View

配备优化设计的全视野门架，管路两侧外置布局，为驾驶员提供绝佳的前方视野；  
两组蓄电池创新的中置下沉式布局设计，杜绝因蓄电池后置于平衡重之上而导致后方视线的遮挡，为驾驶员提供绝佳的后方视野；  
Equipped with optimized design whole view mast, piping on both external sides, provide excellent front view for drivers.  
Two battery sink-type layout innovation design in the middle of chassis which gives the driver excellent rear view.

## 2 高效的动力系统 Efficient Driving System

先进的双驱动电机+双泵电机动力系统，结构布局合理，为强劲的整车性能提供动力保障；  
Advanced dual motor driving and dual pump power system, compact structure, better driving and climbing performance, lager torque, more powerful output.

- > 德国原装进口KESSLER（凯斯勒）桥箱一体式高性能驱动系统；
- > 意大利原装进口CASAPPA（凯斯帕）低噪音齿轮泵；
- > 免维护多片式湿式制动系统，全液压力制动，同时配置优良的大容量囊式蓄能器，行车和紧急制动性能优异；
- > 德国原装进口SCHABMULLER（夏伯穆勒）免维护交流电机，扭矩强劲，节能高效。

## 3 舒适的驾乘空间 Comfortable Driving Space

符合人体工程学的驾驶舱布局设计，为操作者营造出良好、舒适、便捷的驾乘体验；  
Ergonomic driving layout design which create a good , comfortable and convenient operating experience for the drivers.

- > 倾斜油缸下沉设计；
- > 倾角可调式小直径方向盘；
- > 前后可调的包裹式座椅（调节范围可达150mm）；
- > 全包围仪表台覆盖件；
- > 右置液压操纵手柄、安全断电开关和储物盒；
- > 多级不锈钢防滑上车踏板，操作者上下车更加方便、安全。

## 4 便于维护的结构布局 Easy Maintenance

配置两组大容量电池组，标配自动补水系统；同时，电池侧取式布局设计，可直接采用叉车更换电池，方便、安全；  
护顶架（驾驶室）创新的后翻式设计，打开后机舱内部具有超大的维护保养空间，维护保养更加便捷；  
Configuration two sets high-capacity battery, standard automatic replenishment system; The battery with side take out layout design, easy, convenient and safe for battery replacement.  
The whole cabin can be tilted backwards, very convenient for maintenance.

## 5 优异的电气性能 High Quality Electrical Components

标配原装进口CURTIS控制器，经过专业调校，行走和提升控制精准高效，性能优异，具有再生制动、坡道制动和故障自我诊断等功能。  
Original imported world famous brand controller. After professional adjustment, walking and upgrade control precision and efficiency, it has excellent performance, regenerative braking, ramp braking, fault self-diagnosis and other functions.

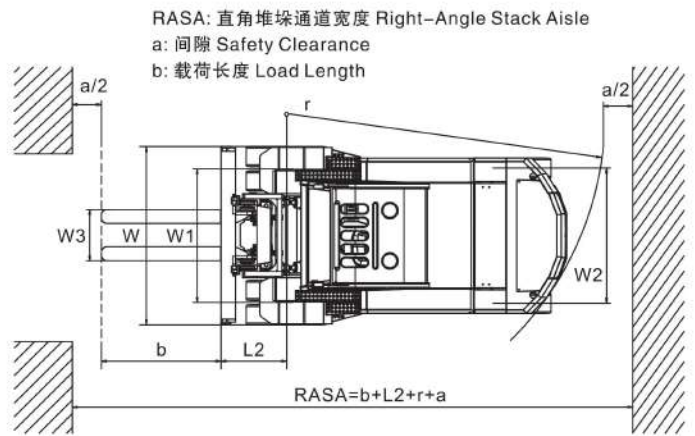
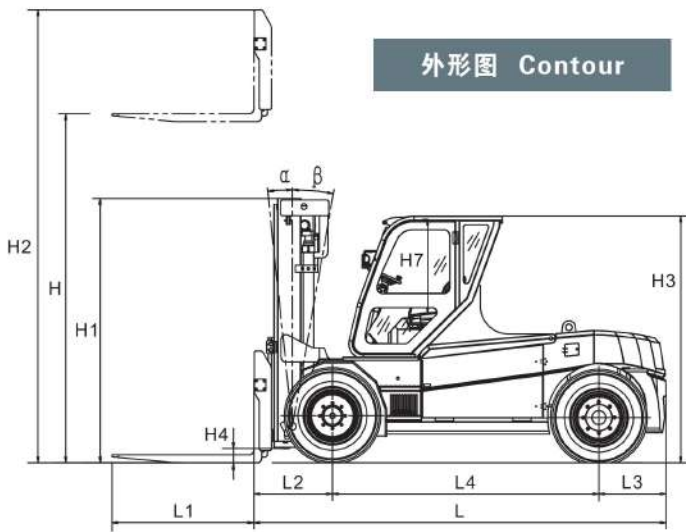
- > 再生制动：叉车在减速、下坡、换向等工况下，行走电机转变为发电机，通过控制器给蓄电池反充电，高效节能；
- > 标配一键式电子手刹解除按钮，上锁、解锁轻松便捷；
- > 进口品牌加速器\进口电源接插件\AMP防水线束。

# 参数 PARAMETER

## 8-12t 电动平衡重式叉车整机参数 Electric Forklift Technical Specification

| 特性                    | Characteristic                            |         |      |  | FB80-C2         | FB100-C2        | FB120-C2     |
|-----------------------|---|---------|------|--|-----------------|-----------------|--------------|
| 1.01 产品型号             | Model                                     |         |      |  |                 |                 |              |
| 1.02 动力方式             | Power Type                                |         |      |  | 蓄电池 Electric    | 蓄电池 Electric    | 蓄电池 Electric |
| 1.03 额定载重量            | Rated Capacity                            | kg      |      |  | 8000            | 10000           | 12000        |
| 1.04 载荷中心距            | Load Centre                               | mm      |      |  | 600             | 600             | 600          |
| 1.05 自重               | Service weight                            | kg      |      |  | 12780           | 14800           | 15800        |
| 轮胎、底盘                 | Tyre & Chassis                            |         |      |  | Pneumatic Tires | Pneumatic Tires | Solid Tires  |
| 2.01 轮胎类型 (前/后)       | Tyre Type (Front/Rear)                    |         |      |  |                 |                 |              |
| 2.02 车轮数量 X=驱动轮 (前/后) | Wheel number X = drive wheel (Front/Rear) |         |      |  | 4X/2            | 4X/2            | 4X/2         |
| 2.03 前轮胎规格            | Tyre Size (Front)                         |         |      |  | 9.00-16-14PR    | 9.00-20-14PR    | 9.00-20      |
| 2.04 后轮胎规格            | Tyre Size (Rear)                          |         |      |  | 8.25-15-14PR    | 8.25-20-14PR    | 8.25-20      |
| 2.05 前轮距              | Front Tread                               | W1 mm   |      |  | 1650            | 1736            | 1736         |
| 2.06 后轮距              | Rear Tread                                | W2 mm   |      |  | 1718            | 1754            | 1754         |
| 2.07 轴距               | Wheelbase                                 | L4 mm   |      |  | 2450            | 2850            | 2850         |
| 尺寸                    | Size                                      |         |      |  |                 |                 |              |
| 3.01 货叉尺寸 (长×宽×厚)     | Fork Size (L×W×T)                         | L1 mm   | mm   |  | 1220×150×70     | 1220×175×85     | 1220×175×85  |
| 3.02 门架倾角 (前/后)       | Mast Tilt Angle (F/R)                     | α/β deg | deg  |  | 6/10            | 6/10            | 6/10         |
| 3.03 门架起升高度           | Lift Height                               | H mm    | mm   |  | 3000            | 3000            | 3000         |
| 3.04 门架不起升高度          | Mast Lowered Height                       | H1 mm   | mm   |  | 2600            | 2830            | 2830         |
| 3.05 门架自由起升高度         | Free Lift Height                          | H5 mm   | mm   |  | 220             | 220             | 220          |
| 3.06 门架最大起升高度 (带挡货架)  | Mast Extended Height                      | H2 mm   | mm   |  | 4400            | 4260            | 4260         |
| 3.07 挡货架高度 (门架货叉面起)   | Backrest Height                           | H6 mm   | mm   |  | 1350            | —               | —            |
| 3.08 货叉调节范围 (货叉外侧)    | Fork Adjust Distance                      | W3 mm   | mm   |  | 300-2000        | 515-2055        | 515-2055     |
| 3.09 全长 (不带货叉)        | Length to Face of Fork                    | L mm    | mm   |  | 3780            | 4415            | 4415         |
| 3.10 全宽 (车架处)         | Overall Width                             | W mm    | mm   |  | 2200            | 2250            | 2250         |
| 3.11 护顶架高度            | Overhead Guard Height                     | H3 mm   | mm   |  | 2500            | 2640            | 2640         |
| 3.12 座椅面至护顶架距离        | Distance From Roof to Seat                | H7 mm   | mm   |  | 1040            | 1040            | 1040         |
| 3.13 前悬距              | Front Overhang                            | L2 mm   | mm   |  | 685             | 845             | 845          |
| 3.14 后悬距              | Rear Overhang                             | L3 mm   | mm   |  | 645             | 720             | 720          |
| 3.15 最小转弯半径           | Turning Radius (outside)                  | r mm    | mm   |  | 3350            | 3850            | 3850         |
| 3.16 最小离地间隙 (门架处)     | Ground Clearance (Bottom of mast)         | H4 mm   | mm   |  | 200             | 230             | 230          |
| 3.17 最小直角通道宽度         | Min.intersecting aisle                    | Ra mm   | mm   |  | 3550            | 4050            | 4050         |
| 3.18 最小直角堆垛通道宽度       | Min.right angle stacking aisle width      | RASA mm | mm   |  | 5460            | 5960            | 5960         |
| 性能参数                  | Performance                               |         |      |  |                 |                 |              |
| 4.01 最大行驶速度 (满载/空载)   | Max.Travel Speed (Full load/No load)      | km/h    | km/h |  | 13/14           | 13/14           | 13/14        |
| 4.02 最大起升速度 (满载/空载)   | Lifting Speed (Full load/No load)         | mm/s    | mm/s |  | 300/300         | 280/300         | 280/300      |
| 4.03 最大下降速度 (满载/空载)   | Lowering Speed (Full load/No load)        | mm/s    | mm/s |  | 350/400         | 350/400         | 350/400      |
| 4.04 最大爬坡度 (满载)       | Max.Gradeability (Full load)              | %       | %    |  | 10              | 10              | 10           |
| 驱动、传动                 | Power & Transmissions                     |         |      |  |                 |                 |              |
| 5.01 蓄电池 (电压/容量)      | Battery (Voltage/Capacity)                | V/Ah    | V/Ah |  | 80/1150         | 96/1250         | 96/1250      |
| 5.02 蓄电池箱体尺寸(长×宽×高)   | Fork Size (L×W×H)                         | mm      | mm   |  | 975×805×680     | 1250×805×680    | 1250×805×680 |
| 5.03 行走 (牵引电机)        | Drive Motor                               | kW      | kW   |  | 14×2            | 20×2            | 20×2         |
| 5.04 起升 (油泵电机)        | Lift Motor                                | kW      | kW   |  | 25×2            | 28×2            | 28×2         |
| 5.05 控制器厂家            | Controller Manufacturer                   |         |      |  | 美国 CURTIS       | 美国 CURTIS       | 美国 CURTIS    |
| 5.06 控制方式             | Type                                      |         |      |  | AC              | AC              | AC           |
| 5.07 液压系统工作压力         | Operating Pressure                        | Mpa     | Mpa  |  | 18              | 18              | 18           |

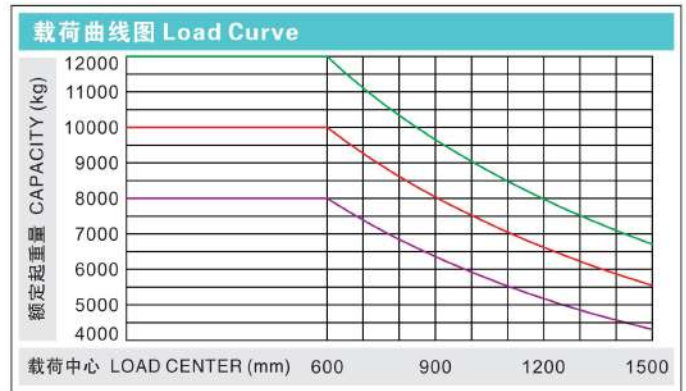
# 配置 ACCESSORY



■ FB80-C2      ■ FB100-C2      ■ FB120-C2

注：  
竖轴表示承载量，横轴表示载荷中心。载荷中心是从货叉正面计算起，标准载荷的基点是指负荷边长为1200毫米的立方体中心位置。当门架前倾、使用非标准货叉或装载超过正常宽度的载荷时，将会使承载量减少。通过负荷曲线图，能及时了解各种载荷中心时的承载能力。

Note:  
Capacities shown are computed with upright in vertical position. Based on a 1200 mm cube load configuration with the center of gravity at the true center of the cube and standard forks. Truck capacities with upright in forward tilt position will be less. Long forks and unusually wide or loads may also reduce capacity.



## 标准配置 Standard Configuration

|        |        |         |          |         |          |         |
|--------|--------|---------|----------|---------|----------|---------|
| 全液压力转向 | 液压游标尺  | 倾斜油路自锁阀 | 倒车蜂鸣器    | 集成电器盒   | 标准货叉     | 组合液晶仪表  |
| 电喇叭    | 带安全带座椅 | 油冷器     | 上下车防滑踏板  | 两级宽视野门架 | 起升和倾斜操纵杆 | 左右后视镜   |
| 后组合灯   | 负载安全阀  | 标准护顶架   | 方向盘可调节装置 | 起升油路限速阀 | 计时表      | 上车扶手    |
| 空挡安全开关 | 随车工具箱  | 高性能轮胎   | 牵引销      | *两片式多路阀 | *标准挡货架   | #四片式多路阀 |

注：\*表示该标准部件只适合 8t #表示该标准部件只适合 10-12t

## 选用配置 Alternative Equipment

|         |          |             |         |
|---------|----------|-------------|---------|
| 全悬浮座椅   | 后扶手带喇叭按钮 | 紧急断电开关      | 驾驶室     |
| 驾驶室带冷空调 | 驾驶室带暖风机  | 灭火器         | 警示灯     |
| 前后挡风玻璃  | 实心轮胎     | LED后工作灯     | 高低护顶架   |
| 座椅感知系统  | 用户指定颜色   | *三/四/五片式多路阀 | #五片式多路阀 |

注：\*表示该选配部件只适合 8t #表示该选配部件只适合 10-12t

## 选用属具 Alternative Attachment

|      |       |       |       |
|------|-------|-------|-------|
| 纸卷夹  | 旋转器   | 货叉套   | 侧移调距叉 |
| 倾翻叉  | 笼式砖块夹 | 玻璃搬运器 | 串杆    |
| 起重臂  | 铲斗    | 称重系统  | #轮胎夹  |
| *调距叉 | *侧移器  |       |       |

注：\*表示该选配属具只适合 8t #表示该选配属具只适合 10-12t

## 门架特殊装置 Special Options for Mast

|         |       |      |      |          |        |      |
|---------|-------|------|------|----------|--------|------|
| 三级全自由门架 | 加宽货叉架 | 加长货叉 | 特殊货叉 | *二级全自由门架 | *加高挡货架 | #挡货架 |
|---------|-------|------|------|----------|--------|------|

注：\*表示该选配部件只适合 8t #表示该选配部件只适合 10-12t

## 8-12t 宽视野基本型门架 Wide View Mast

| Mast Model | Lifting Height (mm) | Capacity (when load center is 600mm) (kg) |       |       | Mast Lowered Height (mm) |      |      | Mast Extended Height (without backrest) (mm) |      |      | Tilt Angle F/R(deg) |
|------------|---------------------|---|-------|-------|--------------------------|------|------|--|------|------|---------------------|
|            |                     | FB80                                      | FB100 | FB120 | 8t                       | 10t  | 12t  | 8t   | 10t  | 12t  |                     |
| M250       | 2500                | 8000                                      | —     | —     | 2350                     | —    | —    | 3640   | —    | —    | 6°/10°              |
| M300       | 3000                | 8000                                      | 10000 | 12000 | 2600                     | 2830 | 2830 | 4140   | 4335 | 4335 | 6°/10°              |
| M330       | 3300                | 8000                                      | 10000 | 12000 | 2750                     | 2980 | 2980 | 4440   | 4635 | 4635 | 6°/10°              |
| M350       | 3500                | 8000                                      | 10000 | 11500 | 2850                     | 3080 | 3080 | 4640   | 4835 | 4835 | 6°/10°              |
| M370       | 3700                | 8000                                      | 10000 | 11500 | 2950                     | 3180 | 3180 | 4840   | 5035 | 5035 | 6°/10°              |
| M400       | 4000                | 7850                                      | 10000 | 11000 | 3150                     | 3380 | 3380 | 5140   | 5335 | 5335 | 6°/10°              |
| M450       | 4500                | 7600                                      | 9500  | 10500 | 3400                     | 3630 | 3630 | 5640   | 5835 | 5835 | 6°/6°               |
| M500       | 5000                | 7400                                      | 8500  | 10000 | 3650                     | 3880 | 3880 | 6140   | 6335 | 6335 | 6°/6°               |
| M550       | 5500                | 7100                                      | 7500  | 8000  | 3950                     | 4180 | 4180 | 6640   | 6835 | 6835 | 3°/6°               |
| M600       | 6000                | 6800                                      | 7000  | 7400  | 4200                     | 4430 | 4430 | 7140   | 7335 | 7335 | 3°/6°               |

注：8t 最大起升高度（带挡货架）：+280mm

Note: 8ton Maximum lifting height (with backrest): +280mm

## 8-12t 两级全自由门架 Wide View Full Free 2-Stage Mast

| Mast Model | Lifting Height (mm) | Capacity (when load center is 600mm) (kg) |       |       | Mast Lowered Height (mm) |     |     | Mast Extended Height (without backrest) (mm) |     |     | Free Lift (without backrest) (mm) |     |     | Tilt Angle F/R(deg) |
|------------|---------------------|---|-------|-------|--------------------------|-----|-----|--|-----|-----|-----------------------------------|-----|-----|---------------------|
|            |                     | FB80                                      | FB100 | FB120 | 8t                       | 10t | 12t | 8t   | 10t | 12t | 8t                                | 10t | 12t |                     |
| Z250       | 2500                | 8000                                      | —     | —     | 2350                     | —   | —   | 3640   | —   | —   | 1150                              | —   | —   | 6°/10°              |
| Z300       | 3000                | 8000                                      | —     | —     | 2600                     | —   | —   | 4140   | —   | —   | 1400                              | —   | —   | 6°/10°              |
| Z330       | 3300                | 8000                                      | —     | —     | 2750                     | —   | —   | 4440   | —   | —   | 1550                              | —   | —   | 6°/10°              |
| Z350       | 3500                | 8000                                      | —     | —     | 2850                     | —   | —   | 4640   | —   | —   | 1650                              | —   | —   | 6°/10°              |
| Z370       | 3700                | 8000                                      | —     | —     | 2950                     | —   | —   | 4840   | —   | —   | 1775                              | —   | —   | 6°/10°              |
| Z400       | 4000                | 7850                                      | —     | —     | 3150                     | —   | —   | 5140   | —   | —   | 1950                              | —   | —   | 6°/10°              |

注：8t 最大起升高度（带挡货架）：+280mm      8t 自由起升高度（带挡货架）：-390mm

Note: 8ton Maximum lifting height (with backrest): +280mm      8ton Free lifting height (with backrest): -390mm

## 8-12t 三级全自由门架 Wide View Full Free 3-Stage Mast

| Mast Model | Lifting Height (mm) | Capacity (when load center is 600mm) (kg) |       |       | Mast Lowered Height (mm) |      |      | Mast Extended Height (without backrest) (mm) |      |      | Free Lift (without backrest) (mm) |      |      | Tilt Angle F/R(deg) |
|------------|---------------------|---|-------|-------|--------------------------|------|------|--|------|------|-----------------------------------|------|------|---------------------|
|            |                     | FB80                                      | FB100 | FB120 | 8t                       | 10t  | 12t  | 8t   | 10t  | 12t  | 8t                                | 10t  | 12t  |                     |
| S370       | 3700                | 8000                                      | —     | —     | 2535                     | —    | —    | 4695   | —    | —    | 1375                              | —    | —    | 6°/6°               |
| S400       | 4000                | 8000                                      | 10000 | 11500 | 2635                     | 2725 | 2725 | 5060   | 5320 | 5320 | 1475                              | 1330 | 1330 | 6°/6°               |
| S435       | 4350                | 7700                                      | 9000  | 11500 | 2750                     | 2850 | 2850 | 5410   | 5670 | 5670 | 1590                              | 1455 | 1455 | 6°/6°               |
| S450       | 4500                | 7400                                      | 9000  | 11000 | 2800                     | 2900 | 2900 | 5560   | 5820 | 5820 | 1640                              | 1505 | 1505 | 6°/6°               |
| S480       | 4800                | 7100                                      | 8700  | 10500 | 2905                     | 3000 | 3000 | 5870   | 6120 | 6120 | 1745                              | 1605 | 1605 | 6°/6°               |
| S500       | 5000                | 6800                                      | 8500  | 10000 | 2970                     | 3100 | 3100 | 6070   | 6320 | 6320 | 1810                              | 1705 | 1705 | 6°/6°               |
| S550       | 5500                | 6400                                      | 7500  | 8000  | 3140                     | 3270 | 3270 | 6490   | 6820 | 6820 | 1980                              | 1875 | 1875 | 3°/6°               |
| S600       | 6000                | 6200                                      | 7000  | 7400  | 3305                     | 3525 | 3525 | 7420   | 7320 | 7320 | 2145                              | 2130 | 2130 | 3°/6°               |

注：8t 最大起升高度（带挡货架）：+350mm      8t 自由起升高度（带挡货架）：-350mm

Note: 8ton Maximum lifting height (with backrest): +350mm      8ton Free lifting height (with backrest): -350mm